

FIERCE
F I R E A R M S

MAYHEM **FX**

WATERFOWL SEMI-AUTO SHOTGUN

**INSTRUCTION
&
MAINTENANCE MANUAL**

CONTENTS

Introduction	2
Operation	2
Safety Rules	3
Assembly	4
Manual Trigger Safety	5
Loading	5
Unloading	6
Disassembly	6
Removing and Disassembling the Bolt Group	7
Removing and Reinstalling the Trigger Group	8
Assembling and Installing the Bolt Group	9
Removing and Reinstalling the Choke Tubes	10
Removing the Magazine Plug	10
Maintenance	11
Choke Tubes Information	12
Technical Drawings and Part List	13

INTRODUCTION

This instruction and maintenance manual provides important information for assembling and using your Fierce Mayhem shotgun. Please read the Owner's Manual carefully before handling the firearm.

Follow safe firearms handling procedures at all times. If you have any questions, please get instruction and training from a competent firearms instructor before using this firearm.

If you have any questions or concerns about the assembly or operation of your firearm, please contact your local Fierce Firearms dealer or qualified gunsmith. You can also contact Fierce directly 435-462-0040

Keep this manual and consult when needed. If you sell or transfer your firearm, ensure that the Owner's Manual remains with the firearm.

OPERATING SYSTEM

The Fierce WLR Inertia Operating System is based on the basic principle of inertia utilizing the kinetic energy created by the projection of the fired cartridge within an unvented barrel. The system requires no outlet for gas or barrel recoil. It operates by means of a spring that is freely interposed between the bolt head and the bolt. In the simplest terms, everything comes from Newton's Second Law $F=ma$.

SAFETY RULES

Always treat all firearms as if they are loaded. DO NOT rely on the safety. Keep the muzzle pointed in a safe direction at all times.

Never cross a fence, climb a tree, jump across a ditch, or similar activity with a loaded firearm. When carrying your firearm, ensure that you can control the direction of the muzzle in every situation including a fall or stumble.

Never load or carry a loaded firearm until you are ready to use it. Never leave a loaded firearm unattended, or allow a loaded firearm in a building or vehicle.

Watch your muzzle, so that other people don't have to. Never point any gun, loaded or unloaded, at anything that you do not intend to shoot. Store firearms and ammunition separately. Use a trigger lock or cable lock on the gun.

Don't shoot unless you are absolutely sure of your target and what is beyond it. Never shoot at hard, flat surfaces or at water.

Know the range of your firearm. Shotgun pellets can travel 500 yards and shotgun slugs have a range of 1/2 mile. Always be sure of your backstop and what is beyond that also.

Always wear eye and ear protection when shooting. Make sure that people close to you are similarly protected.

Always be sure the barrel is clear of any obstruction. Each time you pick up the gun, check the barrel for any possible obstructions. Make sure the barrel is clean and free of dirt or grease before shooting.

Use the right ammunition. Always use clean, dry, original factory loaded ammunition of the proper type and gauge for your gun. Carry only the proper ammunition for the gun that you are shooting. If you are shooting a 12 gauge DO NOT carry any other ammunition.

A firearm is as safe as the person using it. Make sure that each person who handles the firearm has read the Owner's Manual and understands and observes safe gun handling procedures.

ASSEMBLY

MOUNTING FOREARMS, BARREL TO RECEIVER

Make sure the barrel is clean and free of heavy lubrication. Remove the forearm by unscrewing the forearm cap nut. Slide the forearm off the magazine tube. (Fig. 2)

Assemble the forearm on the underside of the barrel by inserting front part of the forearm to the barrel lug (Fig. 3) The barrel is now ready to attach to the receiver.

Slide the forearm into the magazine tube until it fits properly to the receiver (Fig. 4). Ensure that the forearm is fitted with forearm latch correctly. Screw the forearm cap nut on the front of the magazine tube. Tighter with finger strength only. Close the bolt by pressing the bolt carrier button.



MANUAL TRIGGER SAFETY

Before loading the gun, ensure that the manual trigger safety is in the "SAFE" (locked) position. (Fig. 5)

To activate the manual trigger safety, press the safety button located on the side of the trigger guard from the left side of the gun to the right. NO RED band will be visible on the safety button.

When the trigger safety is in the "FIRE" (unlocked) position, the black button will be pressed in from the right side of the trigger guard. The safety button will protrude out from the left side of the trigger guard and the RED band around the button will be visible.

The safety is now unlocked and the gun will fire when the trigger is pulled.

The manual safety trigger will only lock the trigger. It is not a substitute for safe gun handling.

LOADING

Press the manual safety button into the "SAFE" (locked) position. NO RED band will be visible on safety button.

Push the Cartridge Drop Lever (located next to the safety button on the right side.

Pull the bolt carrier back using the bolt carrier handle until it locks into place (Fig. 6)

Push the bolt carrier release button and release the bolt forward into the closed position. (Fig. 7)

Load cartridges by sliding them forward into the magazine tube. (Fig. 8)

Pull the bolt carrier handle back and release. Cartridges will load into the chamber. (Fig. 9)

When you press the manual safety button into the "FIRE" position. The gun is ready to fire.

LOADING DIAGRAMS



FIG. 5



FIG. 6



FIG. 7



FIG. 8



FIG. 9

UNLOADING

Fired cartridges will be ejected automatically.

First ensure that the safety button is in the "SAFE" (locked) position (Fig. 10)
Never permit your finger or another object to come in contact with the trigger while unloading.

Pull the bolt handle to the rear to eject any cartridge in the chamber.
If there is a cartridge in the carrier or magazine they will be directly fed into the chamber. Methodically, pull the bolt handle to the rear multiple times to ensure all cartridges have been ejected.

ALWAYS double check to make sure the firearm is completely unloaded when are not shooting.

DISASSEMBLY

Unload the firearm. Double check the magazine and chamber.

Ensure that the safety in the "SAFE" (locked) position.

Press the Cartridge Drop Lever (located on right side next to safety)

Pull the bolt handle fully to the rear and lock the bolt in the OPEN position.

Unscrew the forearm cap nut and remove it. (Fig. 11)

Slide the forearm and barrel toward the muzzle (end of barrel) and remove it.



FIG. 10



FIG. 11

REMOVING AND DISASSEMBLING THE BOLT GROUP

REMOVING

Completely remove the barrel and forearm from the receiver. Push the carrier latch button by holding the bolt handle and release it to the forward position. Remove the bolt handle by pulling it out. (Fig. 12) Pull the bolt assembly out of the receiver, sliding it along the guides. (Fig. 13)

DISASSEMBLING

While holding the firing pin and firing pin spring in place, remove the firing pin retaining pin from the bolt assembly. (Fig. 14) Remove the firing pin and firing pin spring from the bolt. (Fig. 15) Remove the locking head pin from the locking head. Pull the locking head from the bolt body. (Fig. 16) Remove the inertia spring from its seat in the bolt and drop it into your palm (Fig. 17)



FIG. 12



FIG. 13



FIG. 14



FIG. 15



FIG. 16



FIG. 17

REMOVING AND REINSTALLING THE TRIGGER GUARD

REMOVING

Ensure that you have previously removed the bolt group from the receiver. To remove the the trigger group: Push the receiver pin through the receiver and remove it by using an appropriate punch. (Fig 18) While pushing the carrier latch button, push the trigger group forward and remove it. (Fig. 19)

INSTALLING

After cleaning and lubricating the trigger group, it is reinstalled by pressing the carrier latch button while pushing the trigger group rearward. Align the hole in the trigger group with the hole for the receiver pin and reinstall the receiver pin.



FIG. 18



FIG. 19

ASSEMBLING AND INSTALLING THE BOLT GROUP

ASSEMBLING

Insert the inertia spring into the bolt. (Fig. 20). Insert the locking head into the bolt body. (Fig. 21) Insert the locking head pin in the hole of the locking head's stem. (Fig. 22) Ensure that the reference line on the top of the locking head pin is visible and aligned with the centerline on the bolt. Insert the firing pin and firing pin spring inside the bolt. (Fig. 23)

Insert the firing pin retaining pin in its seat to prevent the firing pin from falling out. (Fig. 24)

INSTALLING

Insert the bolt assembly inside the receiver, by sliding it along the guides. Ensure the bolt link fits properly to the recoil spring cap.



FIG. 20



FIG. 21



FIG. 22



FIG.23



FIG. 24

REMOVING AND REINSTALLING THE CHOKE TUBES

UNLOAD the gun and ensure that the safety is in the "SAFE" (locked) position. Remove your choke by inserting the choke key and turning it counter clockwise. After cleaning and lubricating the choke tube may be reinstalled by starting the threads by hand. Finish tightening with the choke tube key. (Fig. 25). Consult the choke value chart for suggested values.

REMOVING THE MAGAZINE PLUG

Hunting regulations in your area may require a limited number of cartridges allowed in the magazine. This shotgun comes with a limiter plug installed in the magazine tube that reduces the capacity of the magazine tube to (2) cartridges.

To remove this plug: Unscrew and remove the forearm cap nut. Remove the magazine plug from the end of the magazine tube. (Fig. 26) Replace the forearm cap nut by screwing it back into place.



FIG. 25



FIG. 26

CHANGING THE DROP (IF YOUR SHOTGUN INCLUDED)

A Drop Change Kit is included to accommodate all shooters' custom needs. This kit provides accessories (shims) to provide drops of 50, 60 and 65mm. A left cast shim has been included to accommodate left-handed shooters.

HOW TO CHANGE THE DROP

Ensure that the gun is unloaded as previously described.

Unscrew the butt plate screws (H) using a standard Phillips driver and remove the butt plate. (G)

REMOVE THE STOCK

Remove the retaining nut (D) using a 13mm socket or hex spanner. Remove the washer (E) and the stock may now be removed.

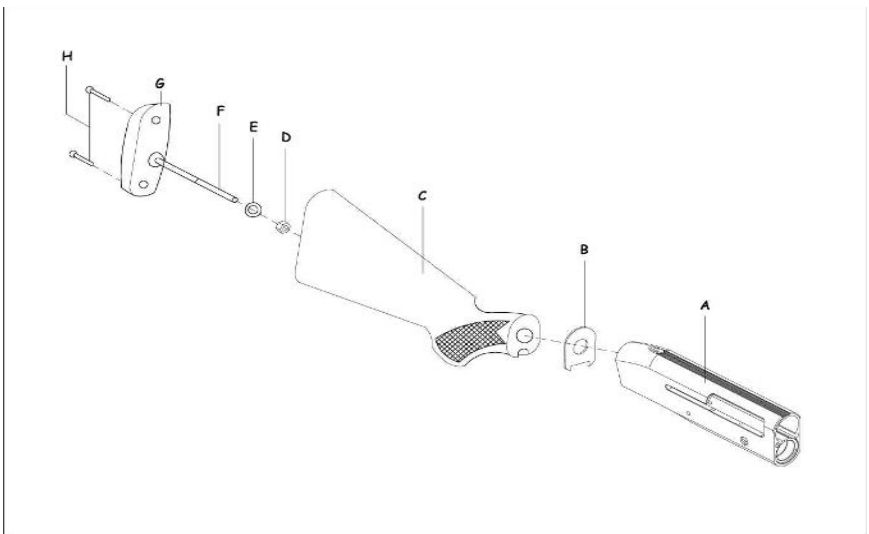
Insert the shim (B) corresponding to the desired drop through the recoil spring tube until the shim is flush with the receiver.

Install the stock and insert the retaining nut (D) with elastic washer (E)

Tighten the stock retaining nut (D) using the socket or hex spanner.

Install the butt plate (G) and insert the screws (H).

WARNING: After firing a few rounds, check again to ensure the stock is well tightened. If necessary, remove the recoil pad and re-tighten the stock nut.



WARNING

Never shoot steel shot with a full or improved modified choke. Use only modified, improved cylinder or cylinder chokes (marked three, four, or five cuts)

Never use cartridges with a case longer than the chamber, as this would have serious consequences for both the gun and the shooter.

Never shoot slugs with a full choke, use only the most open choke which is marked with five cuts.

Use only 3 1/2" Super Magnum cartridges in this shotgun.

Never shoot without the choke tube fitted in the barrel.

MAINTENANCE

Proper maintenance is one of the most important factors in assuring the best performance of the gun as well as the highest level of safety to the shooter.

Before using this shotgun, make sure that the barrel is clean and free of any grease or obstruction.

After each shooting session, dismantle the barrel, the choke tube and the bolt mechanism for cleaning and lubricating.

If the gun is used on a wet day, be sure to dry the gun and the wooden parts in a ventilated area.




Do not store the gun in a gun case or gun slip if not completely dry.

Storage of the gun in a plastic or synthetic case or slip for a long time is not suitable or recommended.

SPARE PARTS LIST

To order spare parts you must specify the model, the gauge and the serial number of your shotgun. Please include the part reference number found in the following tables.

MULTI-CHOKE SYSTEM

1.	CHOKE TYPE	SYMBOL	GAME	PELLET SIZE	USEFUL SHOOTING DISTANCE
2.	FULL		Goose, Duck, Wood Grouse	1-2-3	55-60 YARDS
3.	IMPROVED MODIFIED		Duck, Pheasant, Wood Grouse, Rabbit	4-5-6	44-50 YARDS
4.	MODIFIED		Partridge, Pheasant, Quail	5-6-7-8	35-45 YARDS

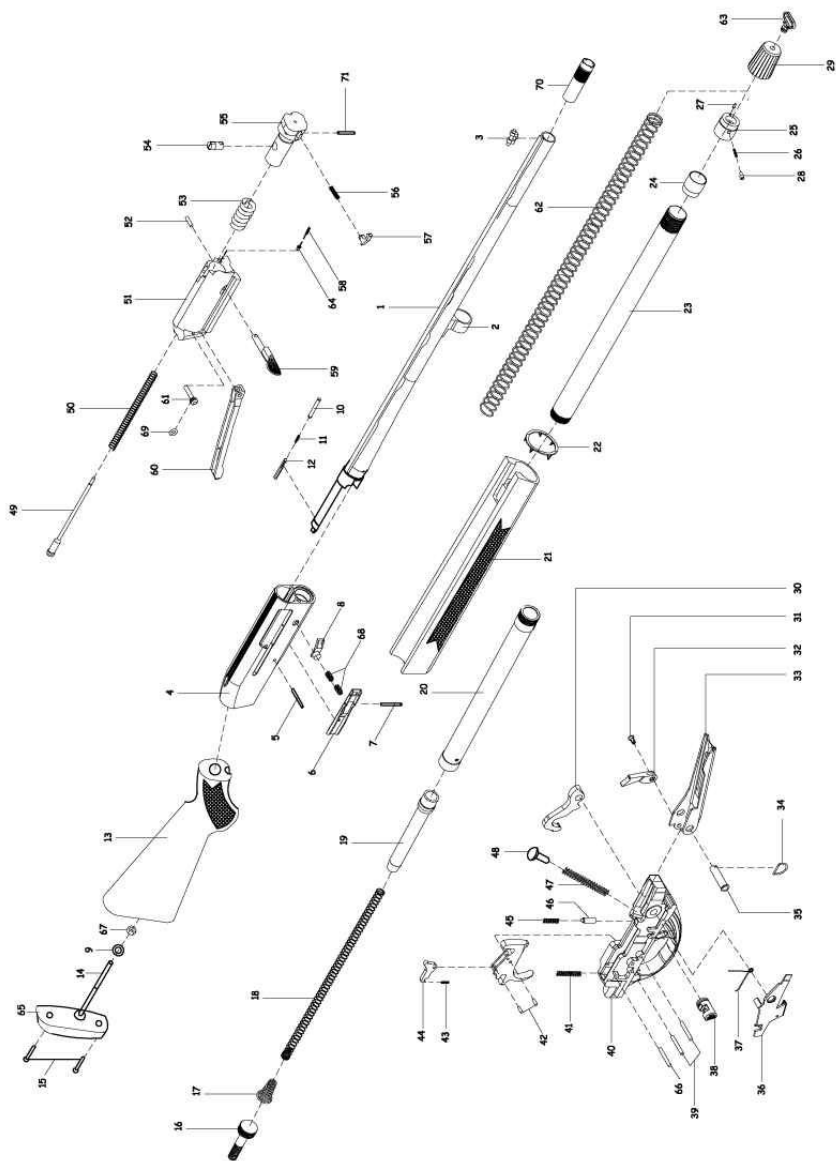
The purpose of the multi choke is manually manipulate the distribution of pellets at the end of the barrel. A Full choke will restrict the barrel opening to the minimum amount. The pellet pattern will remain tight for long range shooting and greater knock out power. Pellet pattern will increase with Improved Modified and Modified as the barrel tip opening will increase. Shooting distances will be reduced.

WARNING: NEVER SHOOT WITHOUT THE CHOKE TUBE FITTED ON THE BARREL

WARNING

Do not use choke values 1, 2 or 3 with slugs or single projectiles.

NEVER SHOOT WITHOUT CHOKE TUBE FITTED ON THE BARREL



GENERAL ASSEMBLY

1 BARREL	25 MAGAZINE FOLLOWER (long)	49 FIRING PIN
2 BARREL RING	26 MAGAZINE FOLLOWER SIDE PIN SPRING	50 FIRING PIN SPRING
3 FRONT SIGHT	27 FOREND LOCK	51 BOLT
4 RECEIVER	28 MAGAZINE FOLLOWER SIDE PIN	52 BOLT HANDLE PIN
5 RECEIVER PIN	29 MAGAZIN CAP	53 BOLT INERTIA SPRING
6 CARRIER LATCH	30 HAMMER	54 LOCKING HEAD PIN
7 CARRIER LATCH PIN	31 BREECH BOLT LATCH PIN	55 LOCKING HEAD
8 CARRIER LATCH PLATE	32 BREECH BOLT LATCH	56 EXTRACTOR SPRING
9 RECOIL PAD SCREW WASHER	33 CARRIER	57 EXTRACTOR
10 CARTRIDGE EJECTOR	34 HAMMER BUSH RING	58 BOLT HANDLE RETAINING SPRING
11 EJECTOR PIN SPRING	35 HAMMER BUSH	59 BOLT HANDLE
12 EJECTOR PIN	36 CARTRIDGE DROP LEVER	60 BOLT LINK
13 STOCK	37 CARTRIDGE DROP LEVER SPRING	61 BOLT LINK PIN
14 STOCK BOLT	38 MANUAL SAFETY BUTTON	62 MAGAZINE SPRING
15 STOCK/RECOIL PAD SCREWS	39 TRIGGER PINS	63 SLING SWIVEL
16 STOCK RETAINING NUT SCREW	40 TRIGGER AGUARD	64 BOLT HANDLE PIN
17 REBOUNDING RECOIL SPRING	41 TRIGGER SPRING	65 BUTT PAD
18 STOCK TUBE SPRING	42 DISCONNECTOR PIN	66 TRIGGER SPRING PIN
19 RECOIL SPRING PLUNGER	43 DISCONNECTOR SPRING	67 STOCK RETAINING NUT
20 STOCK TUBE	44 DISCONNECTOR	68 CARRIER LATCH PLATE PIN
21 FOREND	45 MANUAL SAFETY SPRING	69 FIRING PIN O-RING
22 FOREND PROTECTION INSERT	46 MANUAL SAFETY SPRING PIN	70 PRIMO MOBILE CHOKE
23 MAGAZINE TUBE	47 HAMMER SPRING	71 EXTRACTOR PIN
24 MAGAZINE FOLLOWER (short)	48 HAMMER SPRING TOP PIN	

The logo features the word "FIERCE" in a large, bold, black, sans-serif font. A red, curved, brushstroke-like graphic element cuts through the letters "I", "E", and "R". Below "FIERCE", the word "FIREARMS" is written in a smaller, black, spaced-out, sans-serif font. The background consists of three large, light gray, curved, brushstroke-like shapes that sweep upwards and to the right.

FIERCE
FIREARMS

www.fiercearms.com

435-462-0040 | info@fiercearms.com | 360 N. R Fierce Ln. Gunnison, UT. 84652